

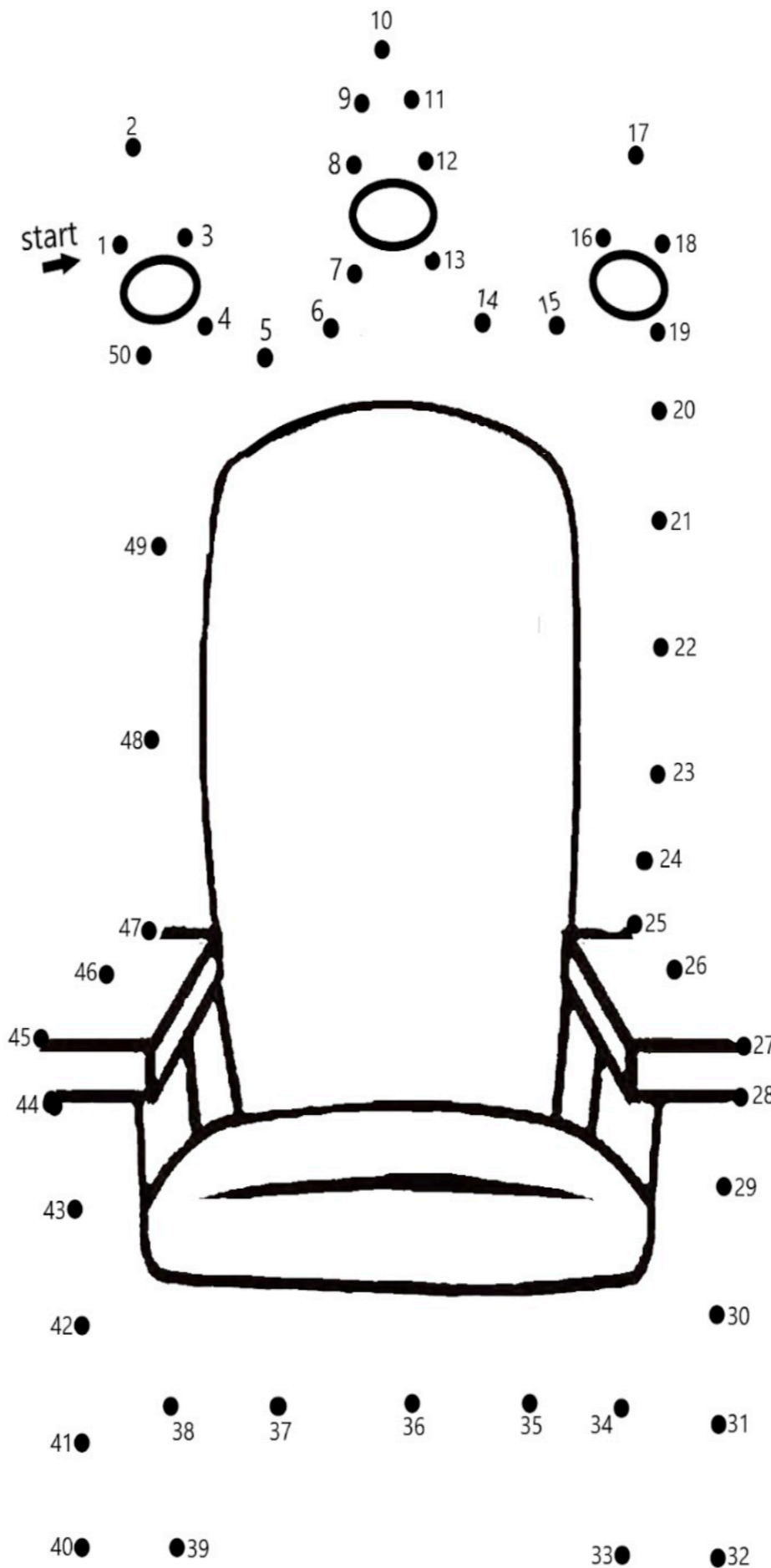
### trace-a-verse

Trace the verse about worshipping God!

"the living  
 creatures  
 give glory,  
 honor and  
 thanks to him  
 who sits on  
 the throne  
 and who lives  
 for ever and  
 ever"  
 Revelation 4:9

### connect the dots

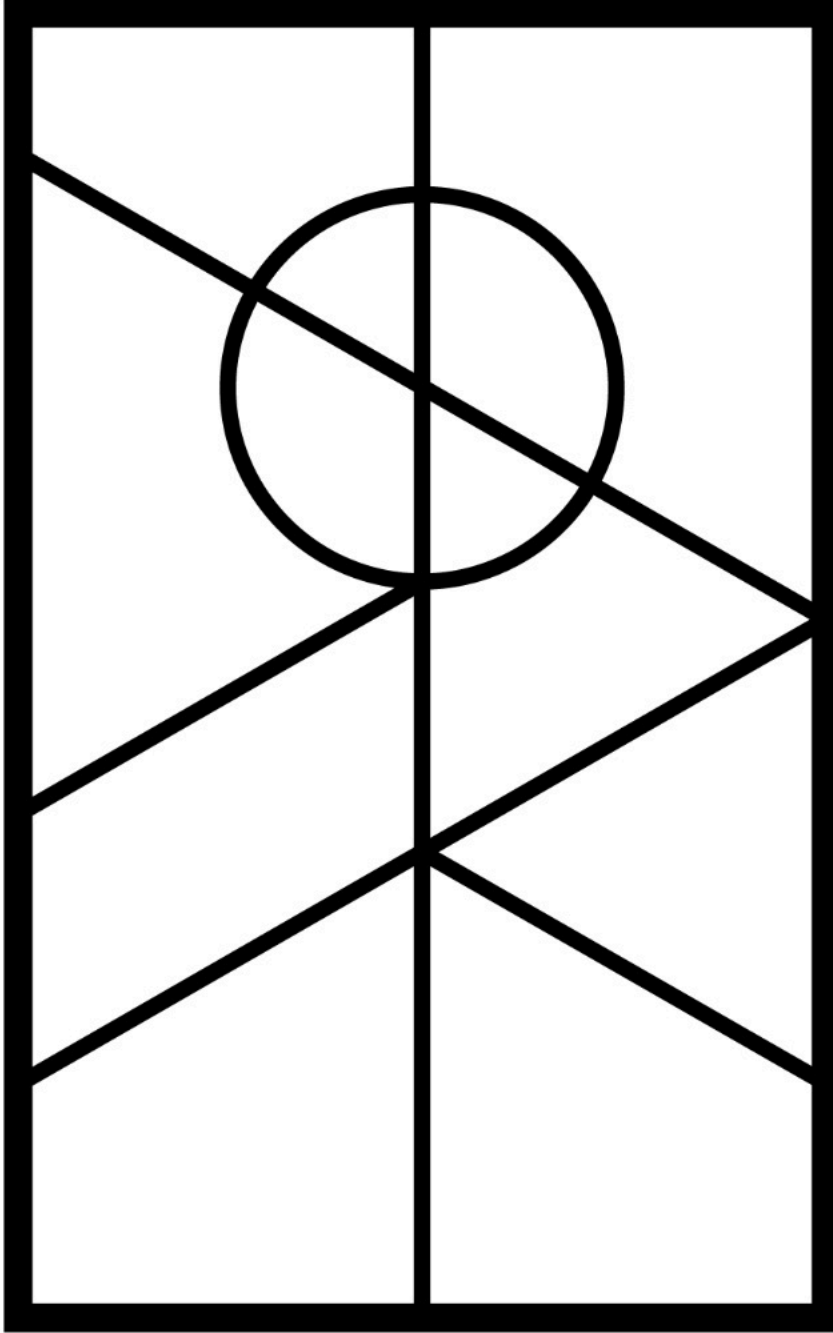
Connect the dots counting from 1 to 50 to reveal the picture!



### emoji verse

Use the first letter of each emoji to fill in the blanks below!

\_\_\_\_\_, holy,  
 🌭 🍊 ⚡ 🍏  
 \_\_\_\_\_  
 🌭 🍊 ⚡ 🍏  
 is the \_\_\_\_\_ God  
 ⚡ 🍊 🌈 🍩  
 \_\_\_\_\_,  
 🍏 ⚡ 🐵 🍦 🍇 🌭 🐢 🍏  
 who \_\_\_\_\_,  
 🍉 🍏 ⭐  
 and \_\_\_\_\_, and \_\_\_\_\_  
 🍦 ⭐ 🍦 ⭐  
 to \_\_\_\_\_. Rev 4:8  
 🐱 🍊 🐵 🐘



Welcome to God's house! We are so glad you're here.  
What are you thankful for this morning?

---

---

---

## *order of worship*

9:00 Genesis Service

**Welcome and Announcements**

**Call to Worship**

**Song** "You've Already Won"

**Congregational Meeting**

**Pastoral Report and Prayer**

**Songs** "Holy Forever" and "Holy, Holy, Holy"

**Mission Spotlight and Tithes & Offering**

**Passing of the Peace**

**Proclamation of God's Word:** Revelation 4:1-11

**Song** "O Praise the Name"

**Benediction**

11:15 Traditional Service

**Call to Worship**

**Processional Hymn** "Holy, Holy, Holy"

**Prayer of Adoration**

**Hymn of Praise** "Thou Art Worthy"

**Call to and Prayer of Confession**

**Words of Assurance**

**Pastoral Report and Prayer**

**Passing of the Peace**

**Mission Spotlight and Tithes & Offering**

**Proclamation of God's Word:** Revelation 4:1-11

**Closing Hymn** "Come, Let us Praise the Lord"

**Benediction**

## *sermon questions*

What do you think a throne looks like? Describe it below!

---

---

---

How does God remind you that He's in control?

---

---

---

Brainstorm some ways you can praise God this week!

---

---

---

## *what in the world...*

**are tithes and offerings?**

One way of saying "thank you" to God is to give money for an offering. God has been generous to us and giving tithes and offerings is a way to offer all that God has given us back to Him.